



VGA GRID™, a scalable, multi-channel live video mixer with HD video recording and streaming.

VGA Grid, our largest and most powerful live production switcher, is the trusted choice of mission-critical applications around the world. Configurable with 6 to 24 TB of removable storage, VGA Grid is perfect for your high-intensity recording and streaming needs, 365 days a year.



Simple to use monitoring and live switching between sources or layouts using Epiphan Live, a control interface designed for ease of use with touch screen devices.



✓ **HIGH PERFORMANCE**

Capture 8 - 12 HD video sources at 30 fps.

✓ **SYNCHRONIZED**

Synchronize your capture with a local or remote time server and apply timestamping for accurate recording

✓ **SCALABLE**

Capture, record and switch between up to 12 local HD video sources with Standalone VGA Grid

✓ **NETWORKED**

Capture and record up to 64 remote sources via Ethernet/IP networks with Networked VGA Grid

✓ **FEATURE RICH**

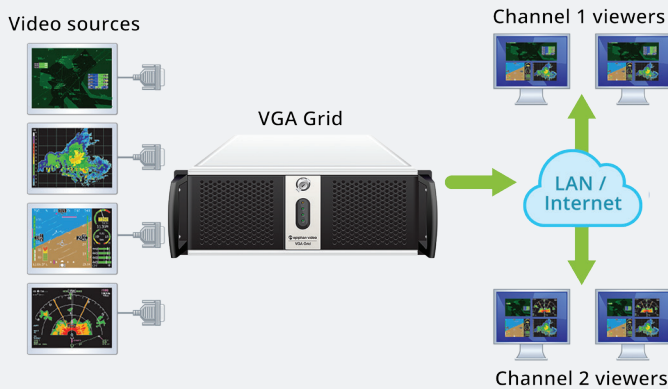
Create fully customized layouts for switching. Records all your sources. Performs multi-encoding.

Your address and contact information here.

™ and © 2016 Epiphan Systems Inc. Epiphan, Epiphan Video, Epiphan Systems, its products names and logos are tradenames or trademarks of Epiphan Systems Inc. All other company, interface and product names and logos are trademarks or registered trademarks of their respective owners in certain countries. Product descriptions and specifications regarding the products in this document are subject to change without notice.

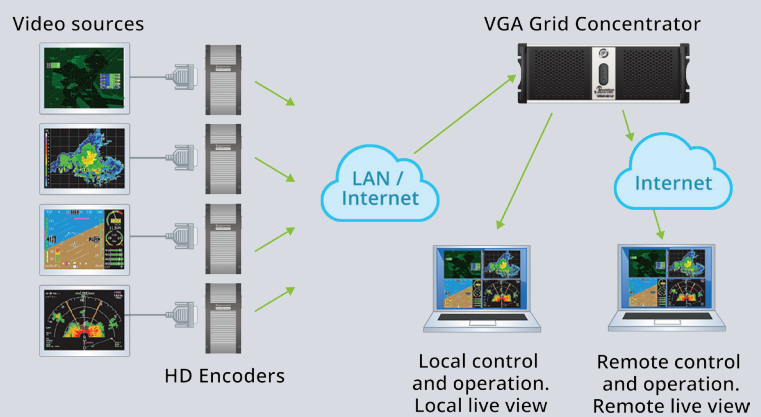
Standalone VGA GRID Systems

Standalone VGA Grid systems can capture 8 - 12 HD video sources including IP cameras, SDI, DVI, HDMI™, VGA and S-Video as well as audio sources. This standalone system captures, encodes, switches, streams and records up to 8 1080p channels at 30 fps.



Networked VGA GRID Systems

Networked VGA Grid systems use a single VGA Grid Concentrator connected via IP/Ethernet to up to 64 VGA Grid HD Encoders or IP cameras. Networked VGA Grid captures, encodes, streams and records up to 64 channels of full HD at 30 frames per second. Networked VGA Grid has no local capture cards.



RESOLUTION	SIGNAL TYPE	CONNECTOR
2560×1600, 2048×2048	Dual-link DVI, VGA	DVI-I
1920×1080, 1920×1200	Single-link DVI, HDMI, VGA, DisplayPort	DVI-I
480i, 576i, 720p, 1080i, 1080p	SD-SDI, HD-SDI, 3G-SDI	SDI
640×480, 720×576	S-Video, Composite	S-Video

RESOLUTION	SIGNAL TYPE	CONNECTOR
1920×1080, 1920×1200	Single-link DVI, HDMI, VGA, DisplayPort	DVI-I
640×480, 720×576	S-Video, Composite	S-Video

Your address and contact information here.

™ and © 2016 Epiphan Systems Inc.

Epiphan, Epiphan Video, Epiphan Systems, its products names and logos are tradenames or trademarks of Epiphan Systems Inc. All other company, interface and product names and logos are trademarks or registered trademarks of their respective owners in certain countries. Product descriptions and specifications regarding the products in this document are subject to change without notice.